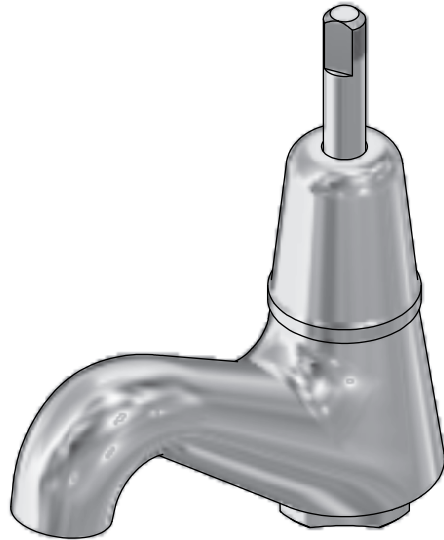
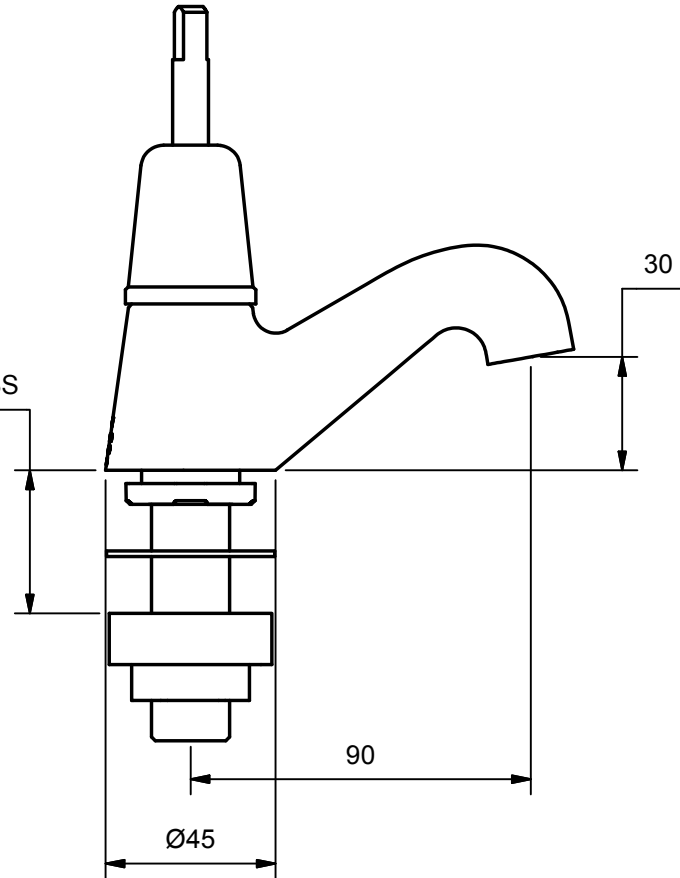


Supplied **LESS** Handle & Button



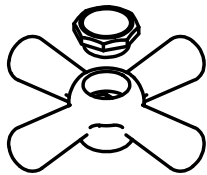
45mm MAX
BENCH THICKNESS



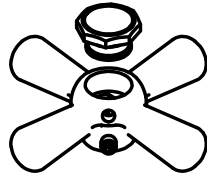
Headworks Available:

- O-RING
- 3/4 TURN CERAMIC DISC
- 1/4 TURN CERAMIC DISC
- 1/4 TURN CERAMIC DISC "CONTRA" (FOR LEVER)

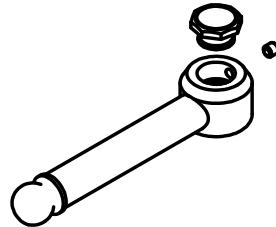
Available HANDLES & BUTTONS to suit this Product



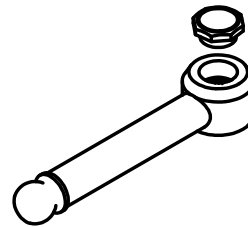
Easy Clean



Tamper Resistant



QHC Lever Tamper Resistant



QHC Lever Handle

AVAILABLE WELS RATING & WELS REGISTRATION:

BASIN: 4 STAR - 7.5 LPM & WELS Reg. Number - T24511

Maximum Hydrostatic Pressure: 1000kpa
 Minimum Hydrostatic Pressure: 150kpa
 Maximum Water Temperature: 80°C

Mounting Holes:

- Taps - Min Ø35mm



As part of Ramtaps commitment to quality products, Ramtaps reserves the right to alter the design or specification of it's products without notice.

RAMTAPS PTY. LTD.
 556 Curtin Ave. East. Eagle Farm 4009.
 Ph. (07) 3633 6000. Fax (07) 3633 6050.

© 2009 All dimensions in mm.
 This drawing remains the property of Ramtaps and should not be copied or distributed without Ramtaps consent.

Title

EASY CLEAN PILLAR TAP

Code:

ECPC

Edition

03

Date of Issue:

4/08/2016